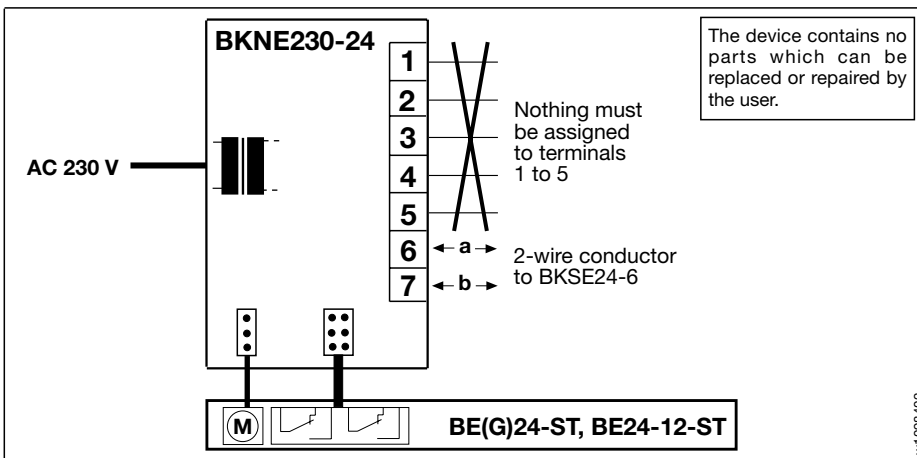




p0104205

Wiring diagram



WT098402

Monitoring motorized smoke extraction dampers using the BKSE24-6 control unit

Description

The BKNE230-24 is a separate power supply unit for BE(G)24-ST smoke extraction damper actuators. It also serves as a communications interface between the actuators and the BKSE24-6 control and monitoring unit.

Communication / Command memory

The BKNE230-24 signals the damper position OPEN / CLOSED (from switches on the actuator) and any fault alarms to the BKSE24-6 unit. It also receives positioning commands from the control unit and triggers the actuator to the required position. The last control command is retained throughout temporary power failures. (The factory setting is *Close damper* command stored in the memory).

Monitoring

The BKNE230-24 unit monitors the positions of the switches on the actuator, its running time and the exchange of data with the control and monitoring unit. It also monitors the actuator current (actuator connected?) and the power supply.

Signalling

The power supply unit incorporates two LEDs to signal its functional status.

Installation and connection

In order to make installation as simple as possible the smoke extraction damper actuators ...-ST are fitted with plug connectors that can be inserted directly into the BKNE230-24 unit. The 2-wire conductor must be connected to screw terminals 6 and 7.

Note: It is recommended that a fire alarm signal cable suitable for the application be used for the 2-wire conductor. It is essential to ensure the correct polarity.

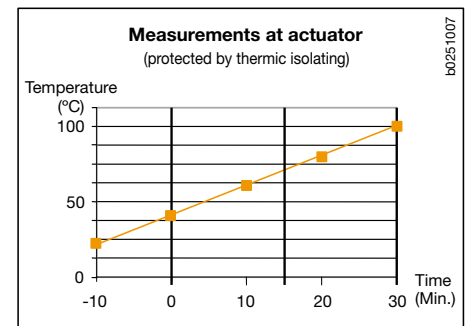
Safety function

The safety function is guaranteed within the temperature range shown in the diagram below which is based on standard ÖNORM H 6029 and DIN 18232.

Displays

LED	Status	Function
yellow	flashing light	damper moving to OPEN
yellow	steady light	damper open
green	flashing light	damper moving to CLOSED
green	steady light	damper closed
yellow or green	flashing at double frequency	fault
yellow + green	dark	power failure

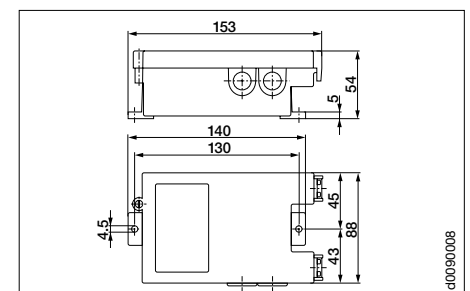
Technical data	BKNE230-24
Nominal voltage	AC 230 V 50/60 Hz
Nominal voltage range	AC 198...264 V
For wire sizing	19 VA (with actuator)
Power consumption	10 W (with actuator)
Connections	
• mains	lead 1 m long (halogen free, without plug)
• actuator	6-pin plug, 3-pin plug
• *2-wire connector	screw terminals for wire 2 x 1.5 mm ²
*Recommended cable	JE-H (St) Bd FE180/E30-E90
Protection class	II (all-insulated)
Ambient temperature range	
• normal operation	-30...+50°C
• safety function	see: text/diagram Safety function
storage	-40...+80°C
EMC	CE according to 89/336/EEC
Low Voltage Directive	CE according to 73/23/EEC
Mode of operation	type 1 (EN 60730-1)
Software class	A (EN 60730-1)
Maintenance	maintenance-free
Weight	680 g



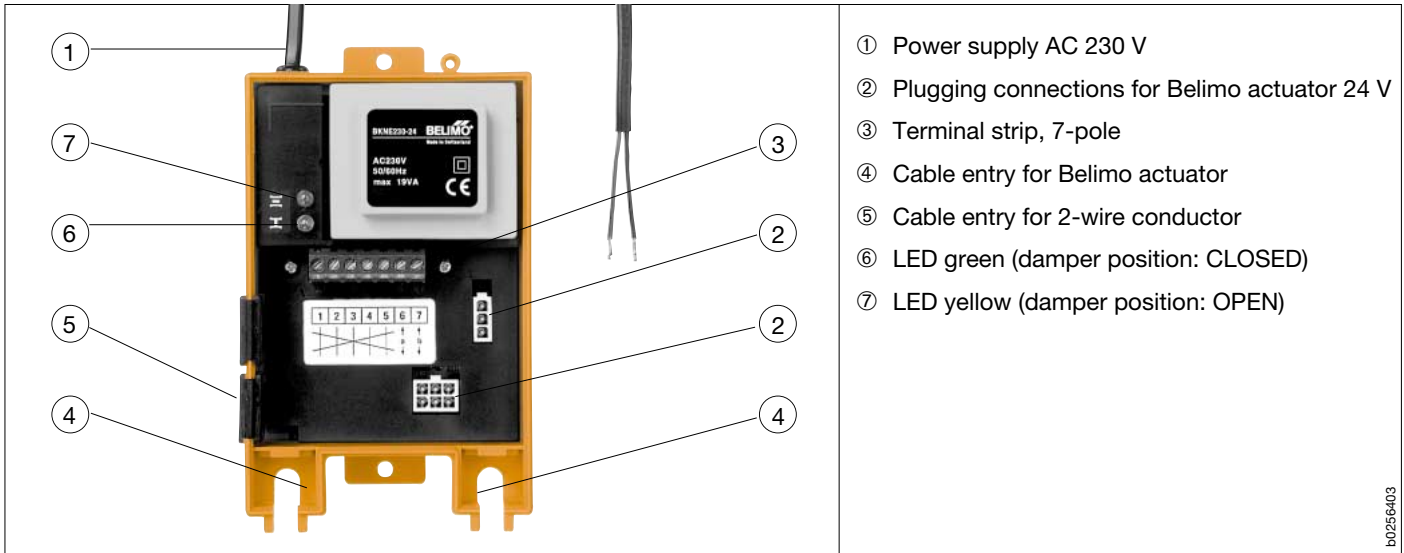
p0251007

Typical connections see overleaf.

Dimensions



c0090008



Block diagram

