

Actuator for  
smoke control dampers 180°↔.

- Torque 24 Nm
- Nominal voltage AC/DC 24 V
- Control: Open/close
- Damper rotation: 12 mm form-fit



## Technical Data

<b>Electrical data</b>	Nominal voltage	AC 24 V, 50/60 Hz / DC 24 V	
	Nominal voltage range	AC 19.2 ... 28.8 V / DC 21.6 ... 28.8 V	
	Switching thresholds	min. ON voltage	AC 19.2 V / DC 21.6 V
		max. OFF voltage	AC 6.5 V / DC 6.5 V
	Power consumption	motoring	13 W @ nominal torque
		holding	0.5 W
		for wire sizing	18 VA / I <sub>max</sub> . 8.2 A @ 5 ms
	Auxiliary switch	2 x 1 SPDT	
	Contact rating (contacts gold plate on silver)	1 mA ... 6 A, DC 5 V ... AC 250 V <input type="checkbox"/>	
	Switching points	5°↔ / 175°↔	
Tolerance	±2		
Connecting cable	motor	1 m, 3 x 0,75 mm <sup>2</sup> (halogen-free)	
	auxiliary switch	1 m, 6 x 0,75 mm <sup>2</sup> (halogen-free)	
<b>Functional data</b>	Torque (nominal torque)	Min. 24 Nm @ nominal voltage	
	Blocking torque	dynamic	24 Nm
		steady-state	30 Nm
	Direction of rotation	Selected by mounting L/R	
	Angle of rotation	Max. 180°↔	
	Running time	<60 s	
	Sound power level	Max. 62 dB (A)	
	Damper rotation	Form-fit 12 mm	
	Position indication	Mechanical with pointer	
	Service life	At least 10'000 cycles	
<b>Safety</b>	Protection class	III Safety extra-low voltage	
	Degree of protection	IP54 in all mounting positions	
	EMC	CE according to 89/336/EEC, 92/31/EEC, 93/68/EEC	
	Mode of operation	Type 1.B (according to EN60730-1)	
	Rated impulse voltage	0.8 kV (according to EN60730-1)	
	Control pollution degree	3 (according to EN60730-1)	
	Ambient temperature range	normal duty	-30 ... +50 °C
		safety duty	See «Safety function» on page 2
	Non-operating temperature	-40 ... +80 °C	
	Ambient humidity range	According to EN 60730-1	
Maintenance	Maintenance-free		
<b>Dimensions / weight</b>	Dimensions	See «Dimensions» on page 3	
	Weight	Approx. 2'700 g	

Safety notes



- The actuator is not allowed to be used outside the specified field of application, especially in aircraft or in any other airborne means of transport.
- The actuator is adapted and mounted to the fire and smoke damper by the damper manufacturer. For this reason, the actuator is only supplied direct to safety damper manufacturers. The manufacturer then bears full responsibility for the proper functioning of the damper.
- The device may only be opened at the manufacturer's site. It does not contain any parts that can be replaced or repaired by the user.
- The device contains electronic and electrical components and may not be disposed of with the household waste. Observe local regulations and valid laws.

Product features

**Mode of operation** Open/Close control is effected by means of a 2-wire system. The actuator is overload-proof and therefore remain energized while stationary at the end-stops.

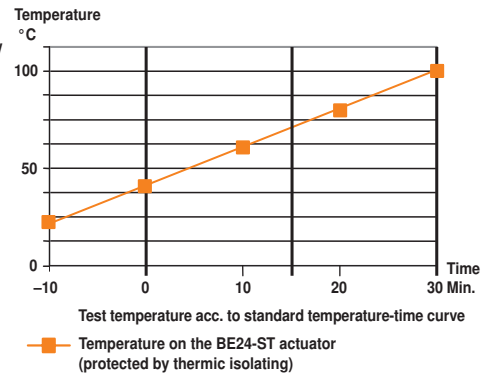
**Signalling** Two microswitches with fixed settings are installed in the actuator for indicating the damper end positions. The position of the damper blade can be read off on a mechanical position indicator.

**Manual operation** The crank handle supplied with the actuator allows it to be operated manually. It also allows a functional test of the damper to be performed very easily.

**Standards and specifications** The design of the actuator is based on the following standards and specifications:

- Draft DIN 18232, Part 6, Sept. 1992
  - Fire protection in industrial buildings
  - Smoke and heat extraction systems
- Preliminary standard ÖNORM H 6029, May 1997
  - Ventilation systems
  - Fire smoke extraction systems
- Extracts from:
  - GEN/TC191, 1996
  - prEN12101-8 (Smoke and heat control systems – Specifications for smoke control dampers)

**Safety function** The safety function is guaranteed within the temperature range shown in the diagram below which is based on standard ÖNORM H 6029 and DIN 18232.

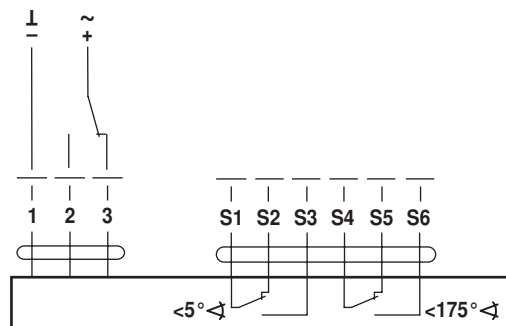


Electrical installation

Wiring diagram

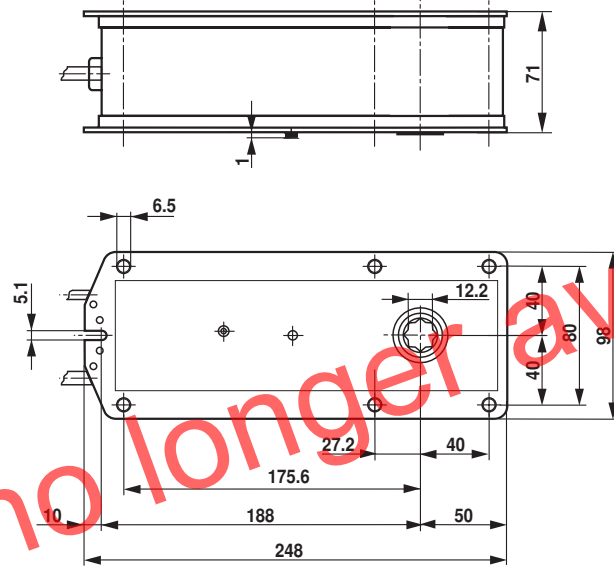
Note

- Supply via safety isolation transformer
- Parallel connection of several actuators possible. Power consumption and switching thresholds must be observed!



## Dimensions [mm]

Dimensional diagrams



Products no longer available