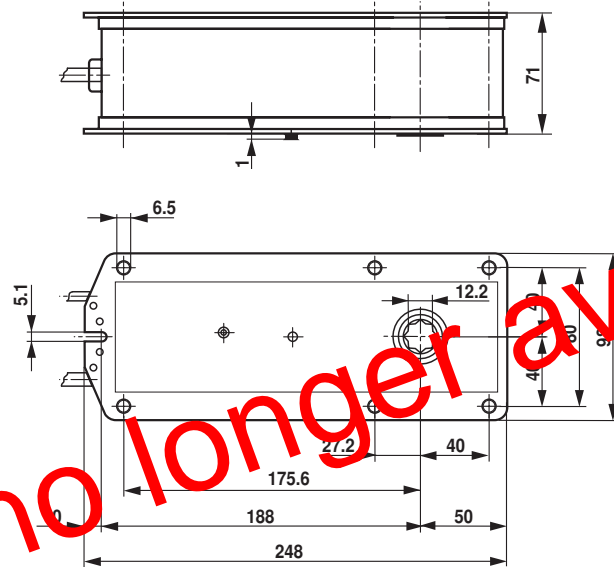


Dimensions [mm]

Dimensional diagrams



Products no longer available