

The purpose of the ZIP-232-MP module is signal level conversion between RS232 interfaces and Belimo MP-Bus systems. The module is suitable for cubicle mounting.

Application

MP-Bus master units with RS232 interfaces (e.g. PC's) which have the Belimo MP protocol implemented, but have no MP signal level matching of their own, can be connected to an MP-Bus system through a ZIP-232-MP module.

Connecting and indicating devices

All connections of the ZIP-RS232-MP module are fitted with push-screw terminals.

LED "US"

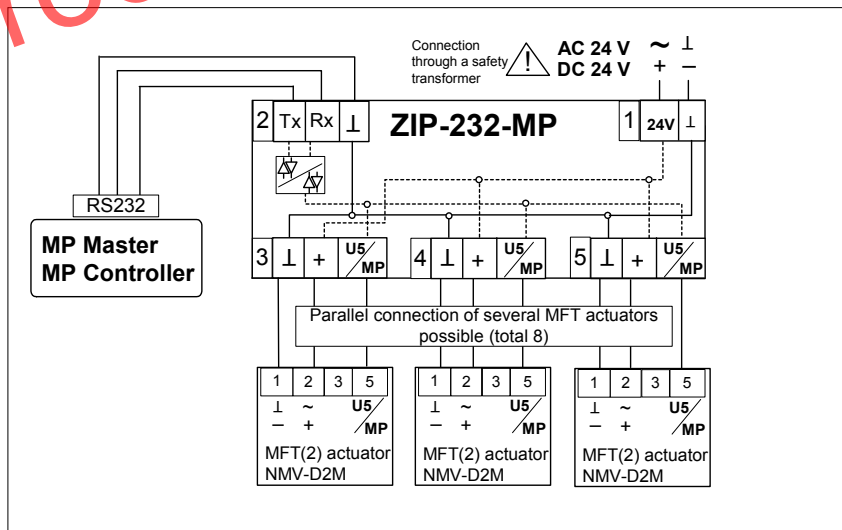
The "US" LED lights up when the module is powered up.

LED's MP-Bus "Tx" and "Rx"

Tx This LED indicates that data is flowing from the ZIP-RS232-MP module to the MFT(2) actuator

Rx This LED indicates that data is flowing from the MFT(2) actuator to the ZIP-RS232-MP module (flashing, flashing or steady light in time with the "Tx" LED if no MFT(2) actuator has responded).

Wiring Diagram



Technical data	ZIP-232-MP
Power supply	AC 24 V 50/60 Hz, DC 24 V
Functional range	19.2...28.8 V AC, 21.6...28.8 V DC
For wire sizing	2 VA (without actuators connected)
Power consumption	1 W
RS232 / MP link	DC coupled
Connections	
• 24 V supply	Push-screw terminals, 4-pole
• RS232	Push-screw terminals, 4-pole
• MFT(2) actuator a)	Push-screw terminals, 4-pole
• MFT(2) actuator b)	Push-screw terminals, 4-pole
• MFT(2) actuator c)	Push-screw terminals, 4-pole (all terminals for 2 x 1.5 mm ²)
Protection class	III (safety extra low voltage)
Degree of protection	IP 20
Ambient temp. range	0...+50°C
Non-operating temperature	-40...+80°C
EMC	CE to 89/336/EEC
Maintenance	maintenance free
Mounting	DIN rail 35 mm
Weight	130 g

Dimensions

